

BudBox™ PRO

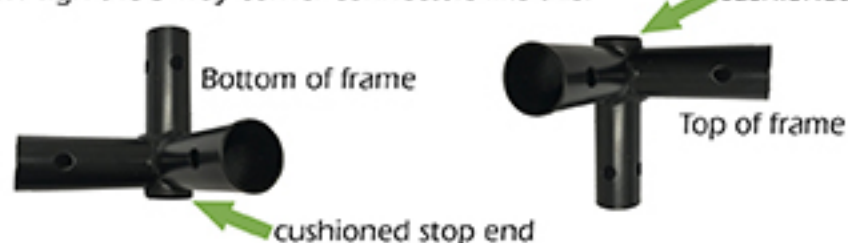
Assembly Guide

Welcome to the family!

Thank you for choosing BudBox PRO grow tents, this guide will help you get the most out of your grow tent, giving you many happy years of indoor growing.

1. Step 1 - Frame

- Remove the contents carefully from the carton(s) – **DO NOT USE A SHARP BLADE**
- Align the 3-way corner connectors like this:



- Choose your position of the uplift irrigation bar (H and L (if applicable) poles)
- Build the rest of the frame up according to the pole letters
- Place the silicone pads over the ends of the E and F hanging bars

Hints and Tips – Frame

- The H and L poles (uplift irrigation bars) are different sizes so are not interchangeable.
- The steel ring for all models with G and K poles goes around both poles in the middle where they meet
- The F roof support bar has a deeper drop than the E bar so is designed to fit underneath the E bar, for even greater hanging strength
- The straps provided are hanging straps and for you to use for any equipment you wish to hang from the roof support bars (poles E and F)

2. Step 2 - Canvas

- Completely unzip the canvas
- Lay out the base of the canvas and fit the bottom of the frame into the black base of the canvas, ensuring all sides are even against the frame
- Place the canvas over the top of the frame and adjust gradually each side to get a good seating against the top and the sides of the frame
- Use the 4 velcro fasteners of the water tray to fit the water tray inside the frame at the bottom. The velcro fastenings go around the B poles near the bottom
- Zip up the top horizontal canvas zips
- Partially zip up the bottom canvas zips but leave some of the zip either side undone
- Seat and zip up the main, central vertical zip
- Complete the zipping of the lower horizontal zips

Hints and Tips - Canvas

- With the main doors unzipped you can conveniently secure them with the clips at the side of the tent
- For ease of use we recommend using the access doors once the tent has been fully erected
- The front main vertical zip has TWO baffles behind it to keep out any light. Ensure BOTH are fully seated correctly.

Ports and usages

All BudBox PRO grow tents come with differing port sizes. The 100mm ports are designed for cabling and electrical ins and outs. The medium sized ports are for air cooled lighting and the large ports allow for oversized acoustic ducting for air intake and extraction

Access doors

Access doors are designed to give you easy access into the grow tent without having to unzip the main front doors. These are located on the sides or back of the tent and the number and positioning is specific to each model

Passive vents and night vision window

All BudBox PRO grow tents come with passive screened micro mesh vents, capable of being covered or uncovered dependent on need

A green night vision window is also provided to allow you to view inside the tent without disturbing the sleep cycles of your plants

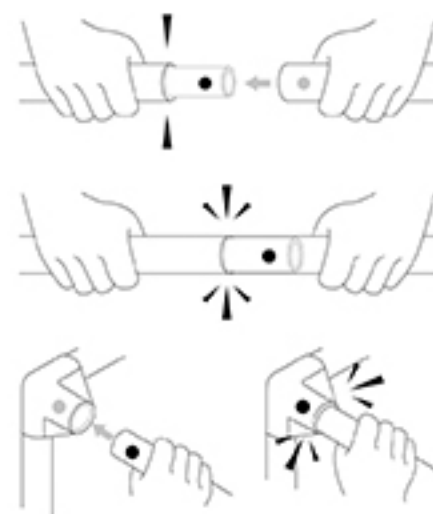
Cleaning and storage

To clean the inside of the canvas simply use a mild soapy detergent solution and a clean lint free cloth. Allow to fully dry before using again or dismantling for storage.

Once the frame has been dismantled, fully zip the canvas back up and fold the sides inwards, leaving the front aspect on top. Then fold the canvas in on itself two or three times (depending on canvas size) and replace in the carry bag provided.

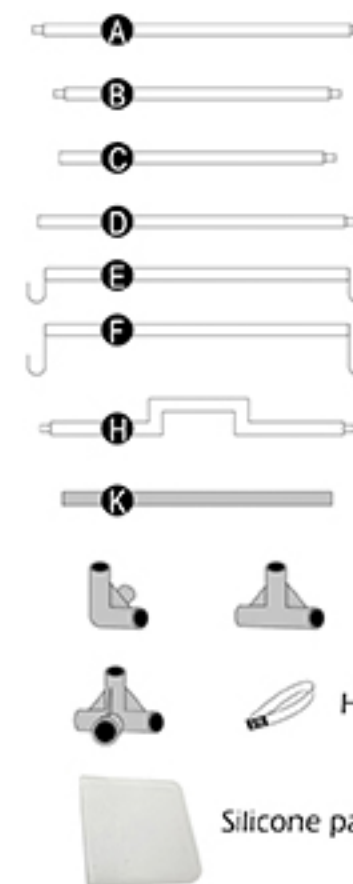
Push/click connectors

All BudBox PRO grow tents have metal connectors with simple push/click connections. Ensure the spring loaded stainless steel pin is fully located in the connector hole.



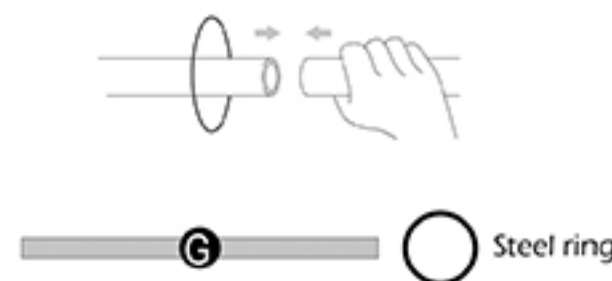
Pole and connector types

The exact type and number of each connector and pole varies depending on the model. Please see our website for specific types and counts for your model



Titan range ONLY

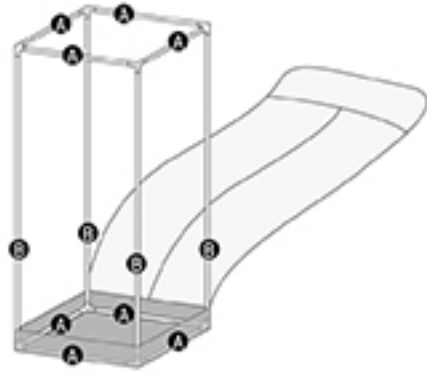
The central roof support is via two G poles acting as sleeves with the steel ring covering both G poles



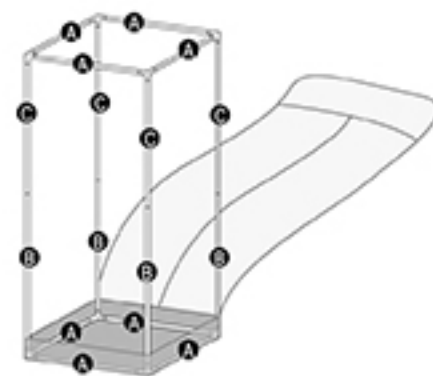


60-HL
60x60x220

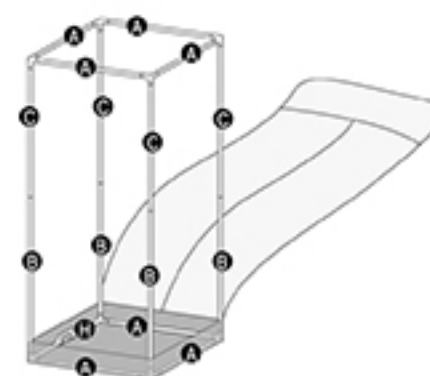
L200-HL
100x100x220



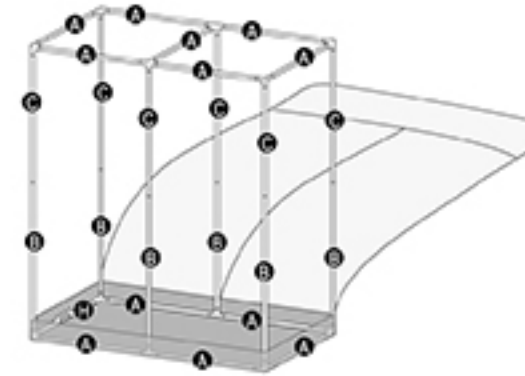
Small
75x75x100cm
2.5'x2.5'x3'4"



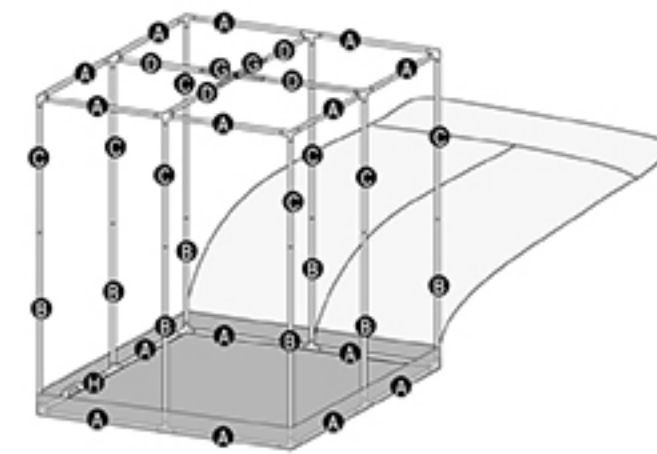
Intermediate
75x75x160cm
2'5"x2'5"x5'4"



XL
120x120x200cm
4'x4'x6'6"



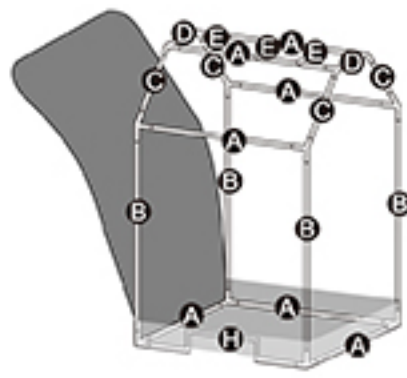
XXL
120x240x200cm
4'x8'x6'6"



Titan 1
200x200x200cm
6'6"x6'6"x6'6"



Medium plus
75x120x200



XL-R
120x120x180

XL plus-R
150x150x180

Medium
75x75x200cm
2'5"x2'5"x6'6"

L180
100x100x180cm
3'4"x3'4"x6'

L200
100x100x200cm
3'4"x3'4"x6'6"

XL-HL
120x120x220cm
4'x4'x7'4"

XL plus
150x150x200cm
5'x5'x6'6"

XL plus-HL
150x150x220cm
5'x5'x7'4"

XXL-HL
120x240x220cm
4'x8'x7'4"

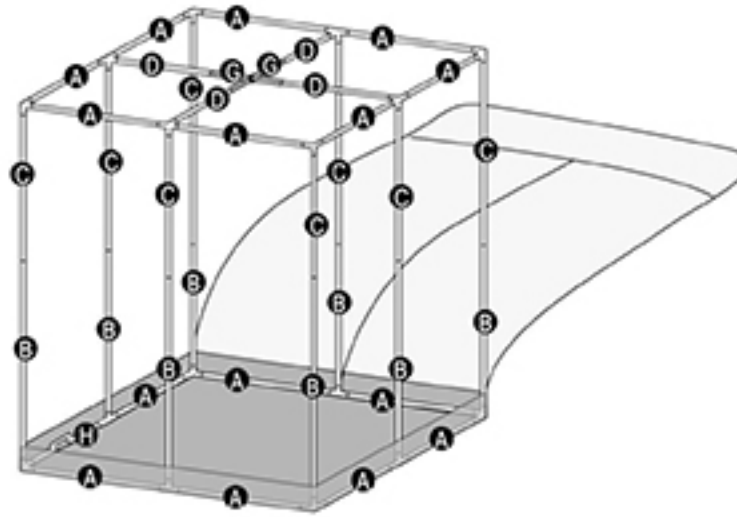
XXL plus
150x300x200cm
5'x10'x6'6"

XXL plus-HL
150x300x220cm
5'x10'x7'4"

Titan 1-HL
200x200x220cm
6'6"x6'6"x7'4"

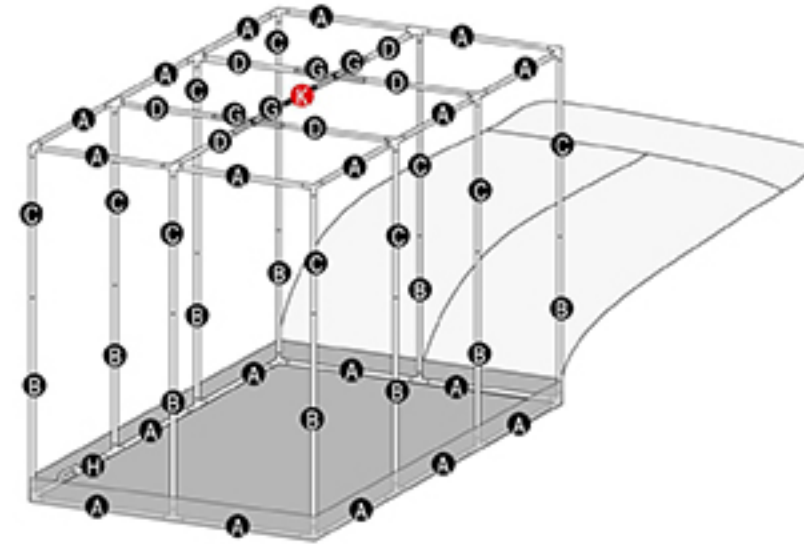
Titan plus
240x240x200cm
8'x8'x6'6"

Titan plus-HL
240x240x220cm
8'x8'x7'4"



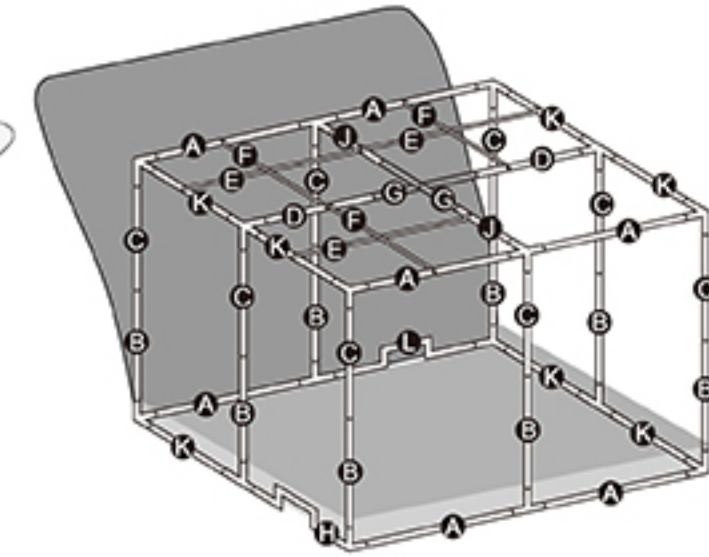
Titan 3
300x300x200cm
10'x10'x6'6"

Titan 3-HL
300x300x220cm
10'x10'x7'4"



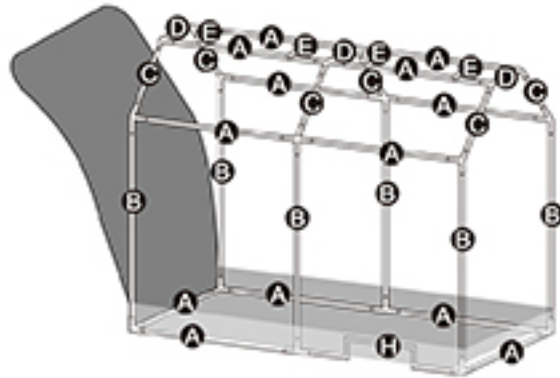
Titan 2
360x240x200

Titan 2-HL
360x240x220



Titan 1 plus
200x300x200cm
6'6"x10'x6'6"

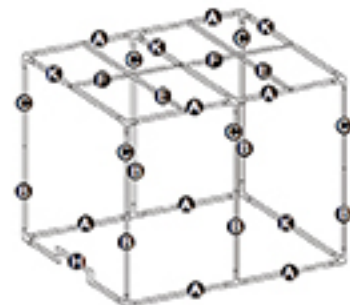
Titan 1 plus-HL
200x300x220cm
6'6"x10'x7'4"



XXL-R
240x120x180



AWL100
100x150x200cm
3'4"x5'x6'6"



AWL150
150x200x200cm
5'x6'6"x6'6"



AWL200
200x300x200cm
6'6"x10'x6'6"



BudBox Ltd

Mill House
12 Cheltenham Mount
Harrogate
North Yorkshire
HG1 1HN
UK

Tel: +44(0)1423 506669
info@budboxgrowtents.com

BudBox