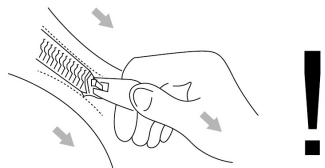
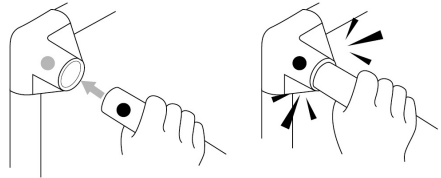
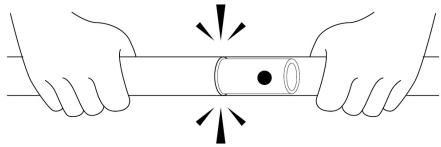
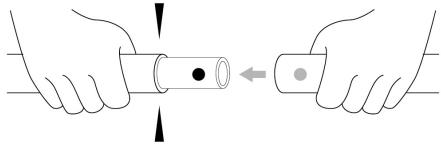
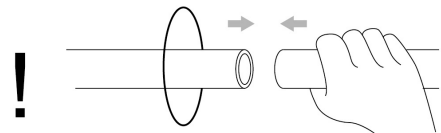


BudBox™

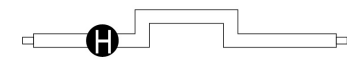
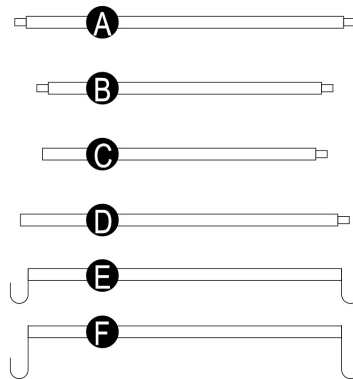
Assembly Guide



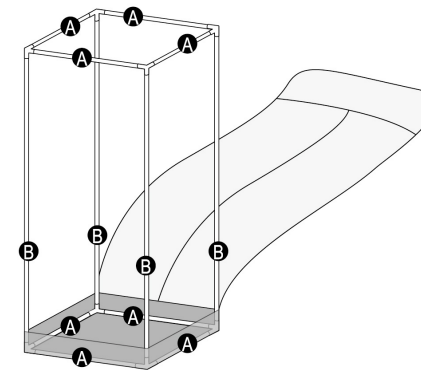
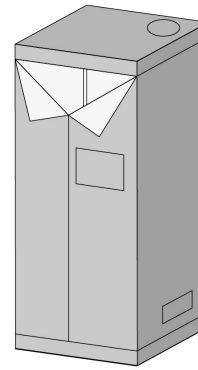
Titan range only - roof assembly supports:



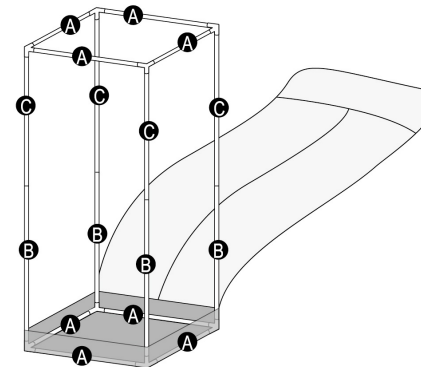
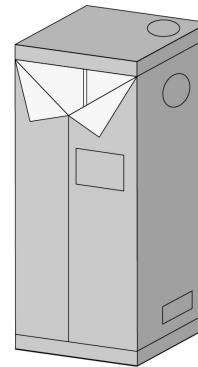
1. Lay out cover with bottom on floor
2. Undo all zips
3. Build frame into base of cover
4. Build frame from floor up
5. Carefully position roof cover over top of frame, from the back to the front
6. Zip up



Quantities of each dependant on product type/size



◀ BudBox Small
75X75X100

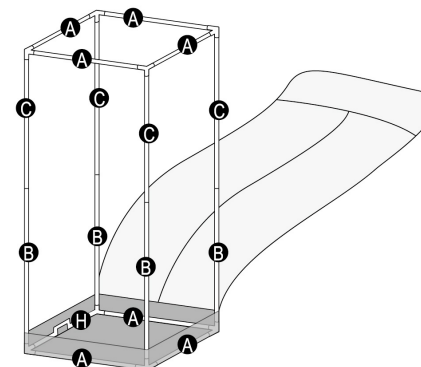
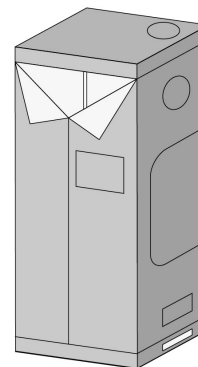


◀ BudBox Medium Shorty
75X75X160

◀ BudBox Medium
75X75X200

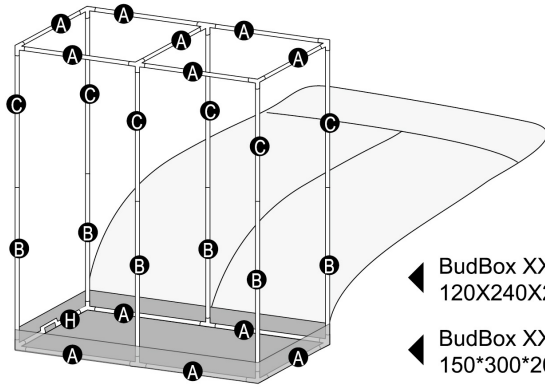
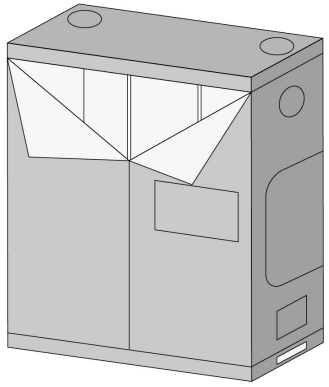
◀ BudBox Large Shorty
100X100X180

◀ BudBox Large
100X100X200



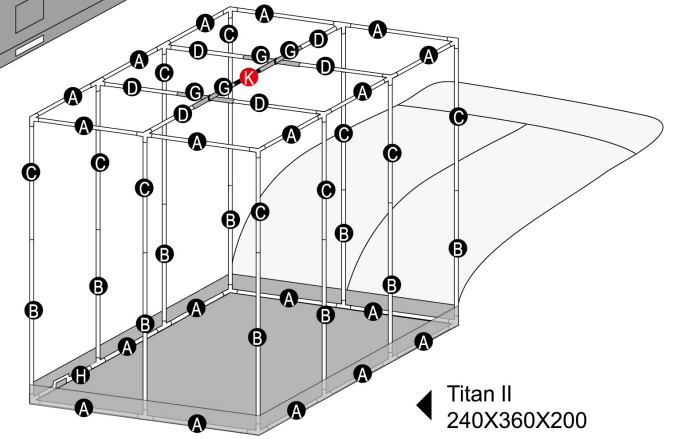
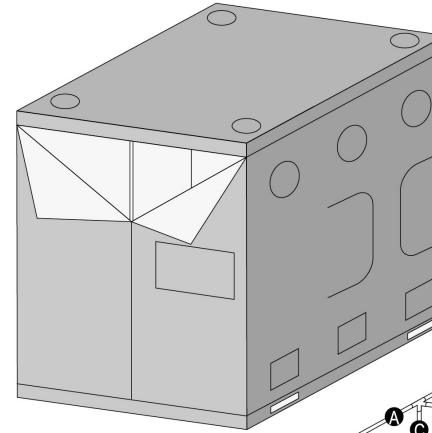
◀ BudBox XL
120X120X200

◀ BudBox XL+
150X150X200

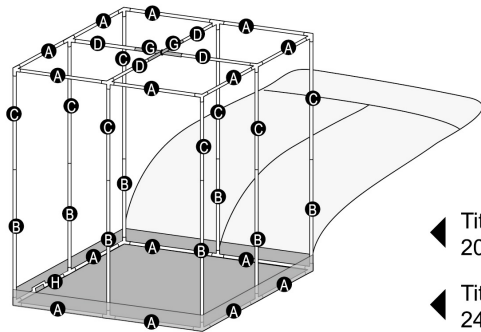
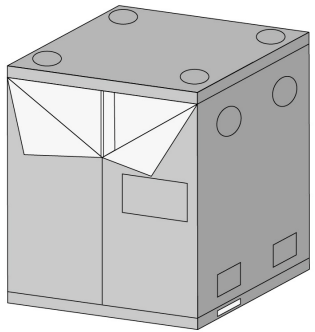


◀ BudBox XXL
120X240X200

◀ BudBox XXL+
150*300*200

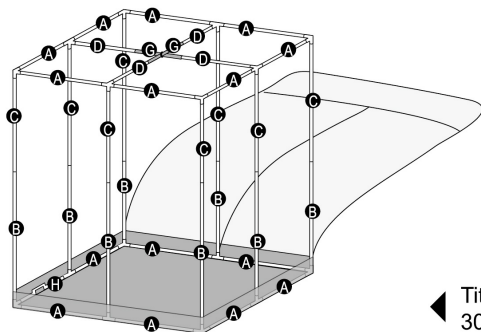
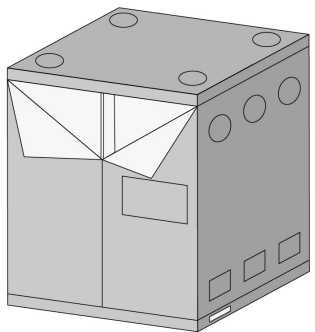


◀ Titan II
240X360X200



◀ Titan I
200X200X200

◀ Titan +
240X240X200



◀ Titan III
300X300X200

BudBox Limited

Mill house - 12 Cheltenham Mount - Harrogate
North Yorkshire HG1 1DL
United Kingdom

Tel: +44(0)1423506669

www.budboxgrowtents.com

info@budboxgrowtents.com

